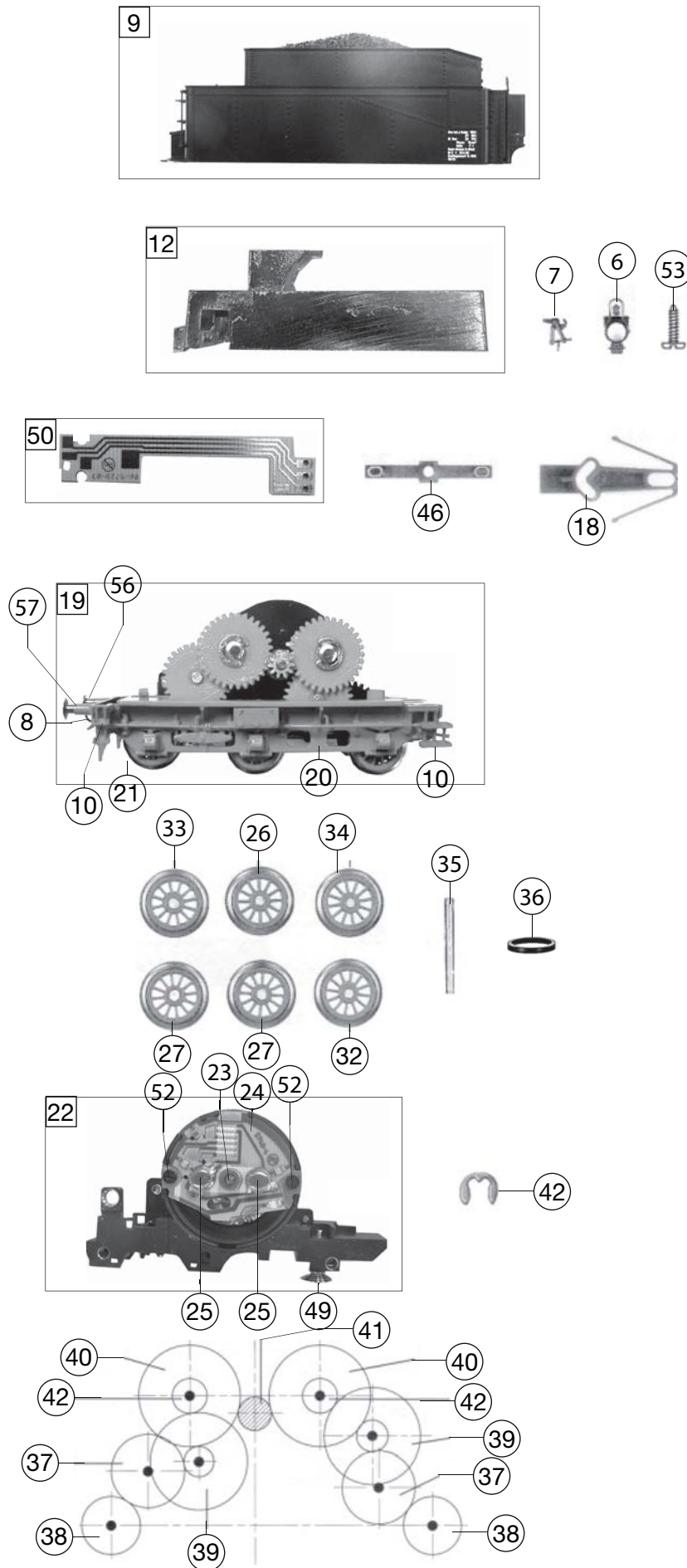


415471		pr. G8.1	KPEV	5273	🔊	=	HO
Pos. Nr. Pos.no.	Beschreibung Description	Art.-Nr. Art.no.	Preisgruppe Price bracket				
1	LOKGEHAEUSE KPL. Loco boiler complete w/o driver's cab	10415401	---				
2	FUEHRERHAUS KPL. Driver's cab complete	11415401	---				
3	LICHTLEITER LOK + TENDER /SATZ Light conductor set (loco&tender)	13415401	---				
4	UMLAUFBLECH F.74153 DB Running board	15415401	---				
5	PFEIFE Whistle	00194607	004				
6	REICHSBAHNLATERNE VORN REICHSBAHN lamp, front	00194804	008				
7	KUPPLUNGSHAKEN Coupling hook	00194824	002				
8	LUFTSCHLAUCH Air hose pipe	00194831	---				
9	TENDERGEHAEUSE Tender body complete	20415401	---				
10	TREPPEN F.TENDER /S. Treadles for tender -set	22415401	---				
	GRIFSTANGEN-SATZ Handrail -set	19490600	---				
12	TENDERBESCHWERUNG Tender ballast	26415401	---				
13	LOKFAHRGESTELL KPL.(OHNE DIGI Loco chassis complete, w/o digital	30415401	---				
14	ABDECKPLATTE M.BREMSATRAPPEN Bottom cover plate (loco)	31415401	---				
15	STEUERUNG KPL. Reversing gear complete	32415401	---				
16	ZYLINDERKASTEN Cylinder l&r -set	33415401	---				
17	LOK-TENDERKUPPLUNG-SATZ Coupling between loco and tender -set	34415471	---				
18	KUKU-DEICHSEL (Lok+Tender) Short coupling reception (loco&tender)	38405100	---				
19	TENDERFAHRGEST.KPL. Tender chassis complete, without motor	40415471	---				
20	TENDERBODENRAHMEN KPL. Tender framework complete	41415401	---				
21	BREMSGESTAENGETRAEGER Brake rigging support	43415401	---				
22	MOTOR KPL.M.SCHWUNGMASSE 74153 Motor complete with flywheel	05041531	034				
23	ANKER KPL.M.SCHWUNGMASSE Rotor complete with integr. flywheel	00504607	025				
24	LAGERSCHILD ISOL. Motor PCB, insulated	00504742	018				
25	KOEHLENROHRKAPPE Brush pipe cap	00504801	002				
26	T.-U.VORLAUFRAD O.Z.O.N.ROTBRAUN Tender&bogie wheel w/o gear, w/o trac. tyre	51446400	---				
27	T.-U.VORLAUF R.O.Z.O.N.ISO.ROTBRAUN Tender&bogie wheel w/o gear, w/o trac. tyre, insul.	51446500	---				
28	LOKRAD N.H.KL.BOHRG.ROTBRAUN L Left coupled wheel	51446900	---				
29	LOKRAD N.H.GR.BOHRG.ROTBRAUN L Right coupled wheel, insulated	51447000	---				
30	LOKRAD H.H.KL.BOHRUNG ROTBRAUN Left driving wheel	51447100	---				
31	LOKRAD H.H.KL.BOHRUNG ROTBRAUN Right driving wheel, insulated	51447200	---				
32	VORL.- U.TENDERRAD O.N. ROTBRA Tender wheel w/o gear, with trac. tyre, insul.	51446600	---				
33	VORLAUF- U. TENDERRAD ROTBRAUN Tender wheel w/o gear, with trac. tyre, red	51446700	---				
34	TENDERRAD M.N. ROTBRAUN LACK. Tender wheel w/o gear, w/o trac. tyre, red	51446800	---				
35	ACHSE Axle	00524011	001				
36	HAFTREIFEN HO Traction tyre	00544007	001				
37	ZAHNRAD Z:22 SCHWARZ Gear wheel Z:22, black	00564125	002				



415471 pr. G8.1 5273 KPEV		🔊	=	HO
Pos. Nr. Pos. no.	Beschreibung Description	Art.-Nr. Art. no.	Preisgruppe Price bracket	
38	ZAHNRAD SCHWARZ Gear wheel; black	56419400	---	
40	UNTERSETZUNGSRAD Reduction gear wheel	56419000	007	
39	UNTERSETZUNGSRAD Reduction gear wheel	56419500	---	
41	RITZEL Z:10 Gear wheel Z:10	00564602	004	
42	SICHERUNGSRING GROSS Securing ring, big	00564702	001	
	UNTERLEGSCH. ROT 2,2X5X0,3 (o. Abb.) Washer 2.2 X 5 X 0.3, red (w/o illustr.)	00564751	001	
45	STROMABNEHMEREINS. (Lok) Loco power pick-up assembly	60415401	---	
46	KONTAKTFEDER (TENDER BR 55) Contact spring (tender)	00614946	001	
	LEITERPLATTE (TENDERBELEUCH (o. Abb.) Tender light PCB (w/o illustr.)	65717400	---	
48	ENTSTOERDROSSEL (o. Abb.) Suppressor choke (w/o illustr.)	00644101	007	
49	KONTAKTPILZGARNITUR Contacter pin assembly	64441800	---	
50	LEITERPLATTE PCB	65717300	---	
51	SCHRAUBE Screw	00700307	001	
52	SCHRAUBE Screw	00700313	001	
53	SCHRAUBE Screw	00713513	001	
54	SCHRAUBE Screw	00713516	001	
55	GEST.BOLZEN KURZ Linkage pin, short	00730552	002	
56	STANGEN-STECKPUFF.GEWOLBT Plug-in shank buffer, curved	75401700	006	
57	STANGEN-STECKPUFFER FLACH Plug-in shank buffer, flat	75401600	006	
58	PUFFERBOHLE KPL. Frontside framework, complete	75415401	---	
	Fleischmann- Steckkupplung (Lok) (o. Abb.) Fleischmann plug-in coupling (loco) (w/o illust.)	6510	---	
	STANDARD- Steckkupplung (o. Abb.) Fleischmann plug-in coupling (w/o illustration)	6511	---	
	PROFI-STECKKUPPLUNG (o. Abb.) Profi coupling (w/o illustration)	6515	---	
	ERSATZ-SCHLEIFKOHLEN (o. Abb.) Carbon brushes set (w/o illustration)	6519	---	
	LUFTKESSEL (o. Abb.) Air tank (w/o illustration)	19490700	---	
	BREMSZYLINDER (o. Abb.) Brake cylinder (w/o illustration)	19490800	---	
	Digitalkupplung (hinten) (o. Abb.) Digital coupling (rear) (w/o illustr.)	38415471	---	
59	Digitalkupplung (vorne) Digital coupling (front)	384154711	---	
60	LEITERPLATTE KPL. PCB complete	65715800	---	
	LAUTSPRECHER (o. Abb.) Loudspeaker (w/o illustr.)	68400400	16	
	HALTEBÜGEL FÜR LAUTSPRECHER (o. Abb.) Loudspeaker retainer clip (w/o illustr.)	68400600	---	
	LAUTSPRECHERAUFNAHME (o. Abb.) Loudspeaker reception (w/o illustr.)	68400900	---	
	SOUND-DECODER (o. Abb.) Sound-decoder (w/o illustr.)	68415471	---	