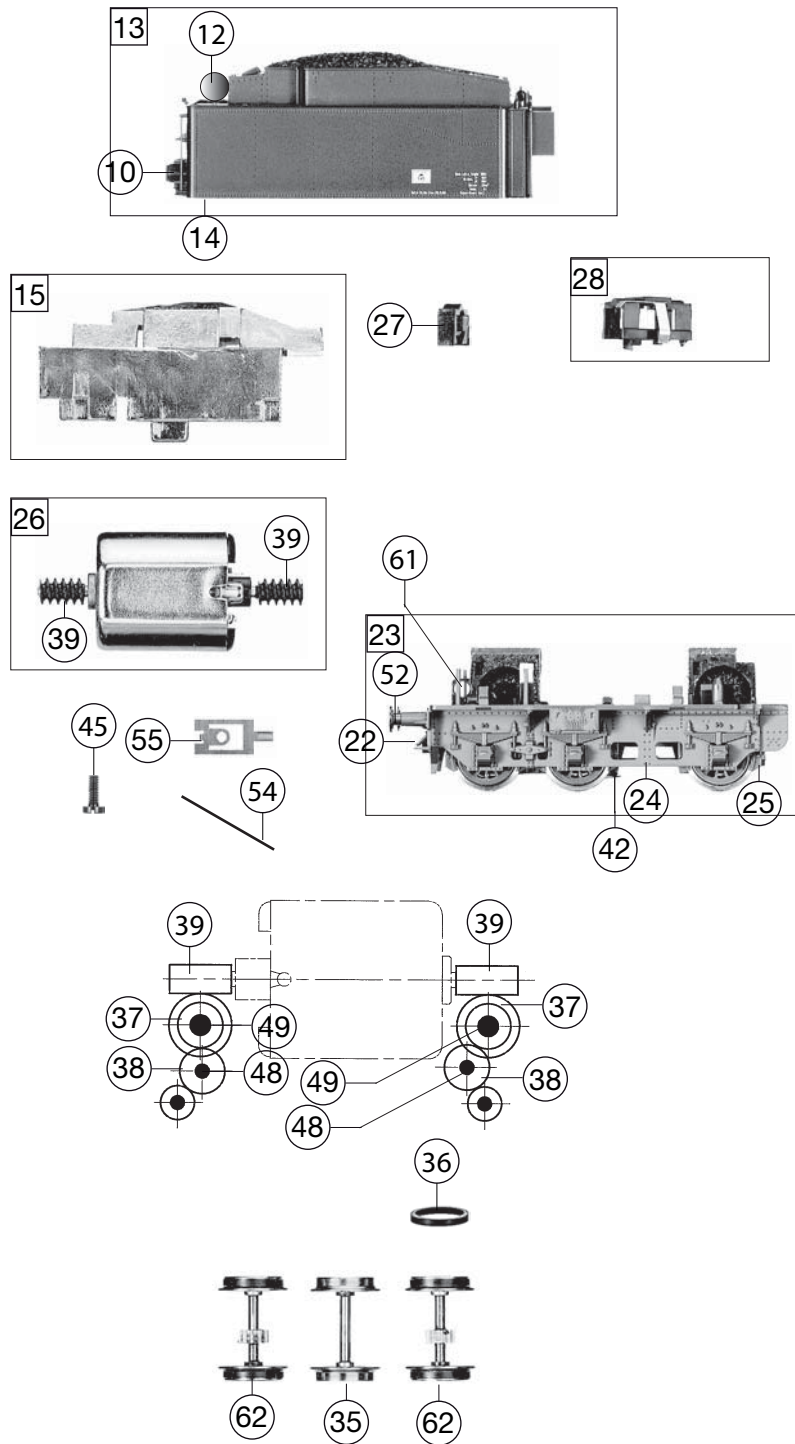


415901 BR56 CSD		562786/4370500 4160500	=	HO
Pos. Nr. Pos.no.	Beschreibung Description	Art.-Nr. Art.no.	Preisgruppe Price bracket	
1	LOKGEHAEUSE KPL.415901 Loco boiler complete w/o driver's cab	10415901	032	
2	FUEHRERHAUS KPL. 415901 Driver's cab complete	11415901	019	
3	LICHTLEITER Light conductor set	00134156	005	
4	FENSTER Windows	00144156	006	
5	UMLAUFBLECH Running board	15415901	026	
6	BESCHWERUNG Ballast	16415901	012	
7	PFEIFE Whistle	00194607	004	
8	HANDRAD F.BR 56 U. 78 Hand wheel	00194705	001	
9	REICHSBAHNLATERNE VORN REICHSBAHN lamp, front	00194804	008	
10	LATERNE HINTEN F.ART.NR.4156 Rear lamp	00194814	008	
	BREMSSCHLAEUCHE-SATZ (o.Abb.) Brake hose pipe -set (w/o illustr.)	00194815	011	
12	LUFTKESSEL f.415901 Air tank	19488300	004	
13	TENDERGEHAEUSE KPL. Tender body complete	20415901	024	
14	LICHTLEITER/TENDER 4156 Tender light conductor	00234156	006	
15	TENDERBESCHWERUNG 4156/57/58 Tender ballast	00264156	017	
16	Lokfahrgestell kpl. Loco chassis complete	30415901	043	
17	ABDECKPLATTE UNTEN (Lok) Bottom cover plate (loco)	31415901	011	
18	STEUERUNG KPL.M.KUPPELSTANG.U. Reversing gear complete with coupling rods	32415901	033	
19	ZYLINDERKASTEN F.BR 56 Cylinder l&r -set	00334156	012	
20	LOKTENDER-KUPPLUNG-SATZ Coupling between loco and tender -set	34415901	011	
21	VORLAUFGESTELL KPL. Set of carrying wheels (front), complete	37415901	015	
22	KUKU-DEICHSEL (Tender) Short coupling reception (tender)	38403300	006	
23	TENDERFAHRGESTELL KPL.O.MOTOR Tender chassis complete, without motor	40415901	033	
24	TENDERBODENRAHMEN KPL. Tender framework complete	41415901	020	
25	TENDERABDECKPLATTE Cover plate for tender	43415901	011	
26	MOTOR F.BR 56 ART.NR. 834900 Motor	00504157	024	
27	MOTORHALTER F.4165/BR 39 U.56 Motor retainer clip (forward)	00504902	004	
28	MOTORHALTER HINTEN M.KONTAKT Motor retainer clip, rear, with contacts	50491600	011	
29	KUPPELRAD LINKS Left coupled wheel	00514263	007	
30	TREIBRAD LINKS F. BR 56 Left driving wheel	00514264	007	
31	KUPPELRAD RECHTS ISOL.BR55/56 Right coupled wheel, insulated	00514265	008	
32	TREIBRAD RECHTS ISOL.F. BR 56 Right driving wheel, insulated	00514266	008	
33	ACHSE Axle	00524011	001	
34	RADSATZ Wheelset	53422700	014	
35	TENDERRADSATZ O.Z.O.N. Tender wheelset w/o gear, w/o trac. tyre	00534028	011	
36	HAFTREIFEN HO Traction tyre	00544007	001	
37	UNTERSETZUNGSRAD Reduction gear wheel	56461400	003	



415901 BR56 CSD		562786/4370500 4160500	=	H0
Pos. Nr. Pos.no.	Beschreibung Description	Art.-Nr. Art.no.	Preisgruppe Price bracket	
38	ZAHNRAD Gear wheel	56461500	003	
39	SCHNECKE Worm gear wheel	56461600	006	
40	STROMABNEHMEREINSATZ (Lok) Loco power pick-up assembly	60415901	022	
	ENTSTOERKONDENSATOR (o. Abb.) Anti-noise capacitor (w/o illustr.)	00644202	006	
42	KONTAKTPILZGARNITUR L:10 MM Contactor pin assembly	00644401	011	
43	SCHALLITZE SCHWARZ 350 MM Cable, black	00667000	009	
44	SCHALLITZE BRAUN 350 MM Cable, brown	00667001	009	
45	SCHRAUBE Screw	00700306	001	
46	SCHRAUBE Screw	00700406	001	
47	SCHRAUBE Screw	00713513	001	
48	BOLZEN BRÜN. Bolt	73058500	003	
49	BUNDBOLZEN Flanged bolt	73058600	003	
50	GEST.BOLZEN KURZ Linkage pin, short	00730552	002	
51	Steckpuffer Plug-in buffer, curved	00754006	002	
52	STECK-PUFFER FLACH Plug-in buffer, flat	00754015	002	
53	PUFFERBOHLE KPL. Frontside framework, complete	75415901	019	
54	RICHTFEDER (Tender) Straightening spring (tender)	00764020	002	
55	DRUCKFEDER F.LOKRADSATZ Pressure spring for loco wheelset	00764310	001	
56	BLATTFEDER F.VORLAUFGEST Flat spring for carrying wheelset	00764307	005	
57	RICHTFEDER F.VORLAUFGEST Straightening spring for carrying wheelset	00764009	003	
	Fleischmann- Steckkupplung (Lok) (o. Abb.) Fleischmann plug-in coupling (loco) (w/o illust.)	6509	---	
	STANDARD- Steckkupplung (o. Abb.) Fleischmann plug-in coupling (w/o illustration)	6511	---	
	PROFI-STECKKUPPLUNG (o. Abb.) Profi coupling (w/o illustration)	6515	---	
61	ERS.-GLUEHLAMPE KLAR M.STECKFA Replacement bulb, clear, with plug-in socket	00006535	008	
	BUCHSENLEISTE 6-POL.F.SCHNITT. (o. Abb.) Connector interface, 6-pin (w/o illust.)	00654073	014	
	SCHNITTST.-BLINDSTECKER 6-POL. (o. Abb.) Jumper, 6-pin (w/o illust.)	00664002	013	
62	Tenderradsatz M.Z.M.N. Tender wheelset with gear, with trac. tyre	00534027	014	