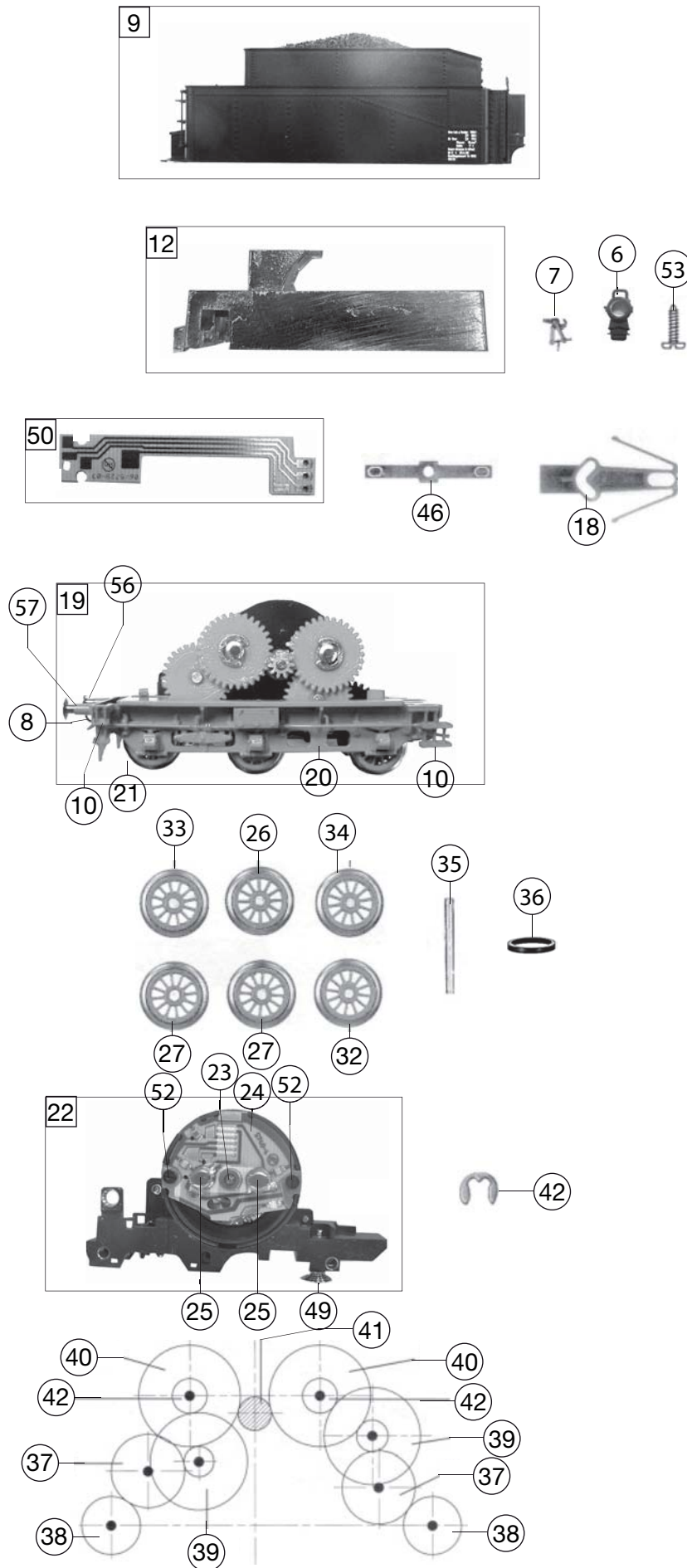


481305		BR55	553978	DB	=	HO
Pos. Nr. Pos. no.	Beschreibung Description	Art.-Nr. Art. no.	Preisgruppe Price bracket			
1	LOKGEHAEUSE KPL. Loco boiler complete w/o driver's cab	10481305	---			
2	FUEHRERHAUS KPL. Driver's cab complete	11481305	---			
3	LICHTLEITER LOK /SATZ Light conductor set (loco&tender)	13481305	---			
4	UMLAUFBLECH F.74153 DB Running board	15481305	---			
5	PFEIFE Whistle	00194607	004			
6	Bundesbahnlaterne VORN+hinten BUNDESBahn lamp, front+rear	00194811	008			
7	KUPPLUNGSHAKEN Coupling hook	00194824	002			
8	BREMSSCHLAUCH Air hose pipe	00194831	2			
9	TENDERGEHAEUSE Tender body complete	20481305	---			
10	TREPPEN F.TENDER /S. Treadles for tender -set	22481304	---			
	GRIFSTANGEN-SATZ Handrail -set	19490600	---			
12	TENDERBESCHWERUNG Tender ballast	26415401	---			
13	LOKFAHRGESTELL KPL.(OHNE DIGI Loco chassis complete, w/o digital	30481305	---			
14	ABDECKPLATTE M.BREMSATRAPPEN Bottom cover plate (loco)	31481304	---			
15	STEUERUNG KPL. Reversing gear complete	32481304	---			
16	ZYLINDERKASTEN Cylinder l&r -set	33481304	---			
17	LOK-TENDERKUPPLUNG-SATZ Coupling between loco and tender -set	00344139	009			
18	KUKU-DEICHSEL (Lok+Tender) Short coupling reception (loco&tender)	38405100	---			
19	TENDERFAHRGEST.KPL. Tender chassis complete, without motor	40481305	---			
20	TENDERBODENRAHMEN KPL. Tender framework complete	41481305	---			
21	BREMSGESTAENGETRAEGER Brake rigging support	43481304	---			
22	MOTOR MIT FAHRGESTELL Motor complete with flywheel	50415401	---			
23	ANKER KPL.M.SCHWUNGMASSE Rotor complete with integr. flywheel	00504607	025			
24	LAGERSCHILD ISOL. M. SCHNITTST. Motor PCB, insulated, with interface	00504737	020			
25	KOEHLENROHRKAPPE Brush pipe cap	00504801	002			
26	T.-U.VORLAUFRAD O.Z.O.N.ROT Tender&bogie wheel w/o gear, w/o trac. tyre	00514188	006			
27	T.-U.VORLAUFR.O.Z.O.N.ISO.ROT Tender&bogie wheel w/o gear, w/o trac. tyre, insul.	00514189	007			
28	KUPPELRAD LINKS Left coupled wheel	00514263	007			
29	KUPPELRAD RECHTS ISOL.BR55/56 Right coupled wheel, insulated	00514265	008			
30	TREIBRAD LINKS BR 55 Left driving wheel	00514315	008			
31	TREIBRAD RECHTS ISOL. BR 55 Right driving wheel, insulated	00514316	008			
32	TENDERRAD O.Z.M.N.ISO.ROT Tender wheel w/o gear, with trac. tyre, insul.	00514378	009			
33	TENDERRAD O.Z.M.N.ROT Tender wheel w/o gear, with trac. tyre, red	00514379	009			
34	T-RAD O.Z.O.N.ROT F.74153 Tender wheel w/o gear, w/o trac. tyre, red	00514380	007			
35	ACHSE Axle	00524011	001			
36	HAFTREIFEN HO Traction tyre	00544007	001			
37	ZAHNRAD Z:22 SCHWARZ Gear wheel Z:22, black	00564125	002			



481305		BR55	553978	DB	=	HO
Pos. Nr. Pos.no.	Beschreibung Description	Art.-Nr. Art.no.	Preisgruppe Price bracket			
38	ZAHNRAD SCHWARZ Gear wheel; black	00564146	007			
39	UNTERSETZUNGSRAD Z:30/10 ROT Reduction gear wheel	00564151	005			
40	UNTERSETZUNGSRAD Z:32/11 ROT Reduction gear wheel	00564152	005			
41	RITZEL Z:10 Gear wheel Z:10	00564602	004			
42	SICHERUNGSRING GROSS Securing ring, big	00564702	001			
	UNTERLEGSCH. ROT 2,2X5X0,3 (o. Abb.) Washer 2.2 X 5 X 0.3, red (w/o illustr.)	00564751	001			
45	STROMABNEHMEREINS. (Lok) Loco power pick-up assembly	60481304	---			
46	KONTAKTFEDER (TENDER BR 55) Contact spring (tender)	00614946	001			
	LEITERPLATTE (TENDERBELEUCH (o. Abb.) Tender light PCB (w/o illustr.)	65717400	---			
48	ENTSTOERDROSSEL (o. Abb.) Suppressor choke (w/o illustr.)	00644101	007			
49	KONTAKTPILZGARNITUR Contacter pin assembly	64441800	---			
50	LEITERPLATTE PCB	65717300	---			
51	SCHRAUBE Screw	00700307	001			
52	SCHRAUBE Screw	00700313	001			
53	SCHRAUBE Screw	00713513	001			
54	SCHRAUBE Screw	00713516	001			
55	GEST.BOLZEN KURZ Linkage pin, short	00730552	002			
56	STECKPUFF.GEWUELBT Plug-in shank buffer, curved	00754006	002			
57	STECKPUFFER FLACH Plug-in shank buffer, flat	00754015	002			
58	PUFFERBOHLE KPL. Frontside framework, complete	75481305	---			
	Fleischmann- Steckkupplung (Lok) (o. Abb.) Fleischmann plug-in coupling (loco) (w/o illustr.)	6510	---			
	STANDARD- Steckkupplung (o. Abb.) Fleischmann plug-in coupling (w/o illustration)	6511	---			
	PROFI-STECKKUPPLUNG (o. Abb.) Profi coupling (w/o illustration)	6515	---			
	ERSATZ-SCHLEIFKOHLEN (o. Abb.) Carbon brushes set (w/o illustration)	6519	---			
	LICHTLEITER-TENDER /SATZ (o. Abb.) Light conductor tender/-set (w/o illustr.)	23481305	---			
	LUFTKESSEL (o. Abb.) Air tank (w/o illustration)	19490900	003			
	BREMSZYLINDER (o. Abb.) Brake cylinder (w/o illustration)	19491000	003			
	SCHNITTST.-BLINDSTECKER 6-POL. (o. Abb.) Jumper, 6-pin (w/o illustration)	00664005	013			